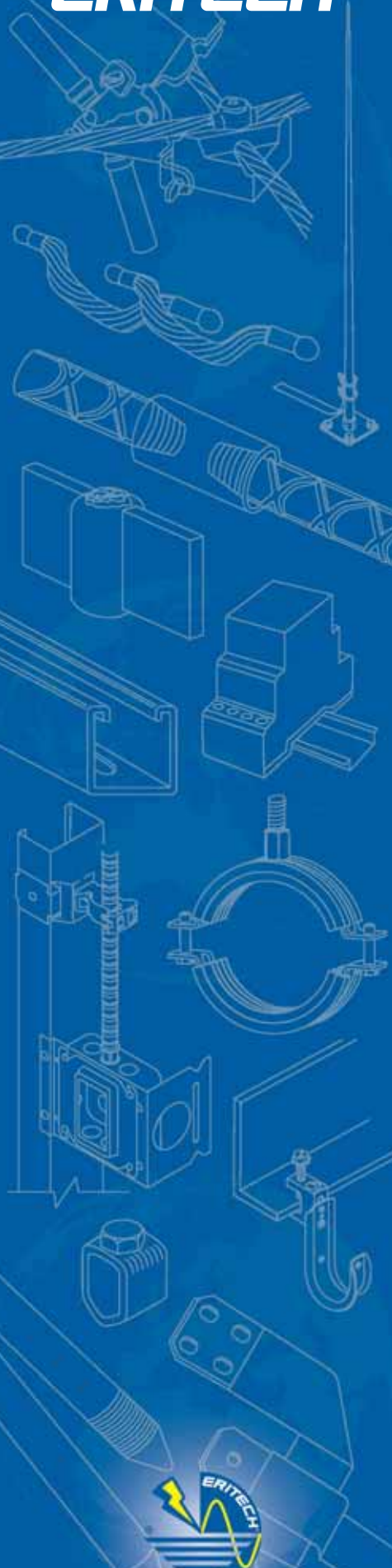


ERITECH[®]

TDX

Transient Discriminating Panel Protectors



ERICO[®]

TDX200 Transient Discriminating Panel Protection

Features

- Transient Discriminating (TD) Technology provides increased service life
- Modular design allows individual modes to be field replaceable, built-in disconnect and fusing eliminates need for external fusing
- Built-in safety features include TD Technology, thermal protection and short circuit current cartridge fusing
- Compact NEMA-4 enclosure design can be flush mounted or installed in a small space
- Status indication flag per mode, voltage presence LED's, audible alarm and voltage-free contacts providing remote status monitoring
- 200kA 8/20µs maximum surge rating provides protection suitable for service entrance, main-distribution panels and highly exposed applications
- Available in various operating voltages to suit most common power distribution systems
- CE, Listed to UL® 1449 Edition 3

The TDX200 Series of Transient Voltage Surge Suppressors is designed for critical protection applications. The 200kA 8/20µs of surge protection exceeds the IEEE®C62.41.2 Scenario II single shot surge rating requirements for exposed service entrance locations – Exposure 3.

The NEMA-4 weather-tight housing allows the TDX to be installed on indoor or outdoor service panels. The preconfigured connecting leads simplify installation. The unique narrow construction allows the SPD to fit between adjacent panel boards and connect via a 90-degree elbow. A flush mounting kit is also available for installing the SPD in drywall applications.

Listed as a Type 1 SPD to UL1449 3rd Edition, the TDX200 Series can be installed within a Type 1 or 2 location in accordance with the NEC2008



Typical installation



TDX200M Enclosure



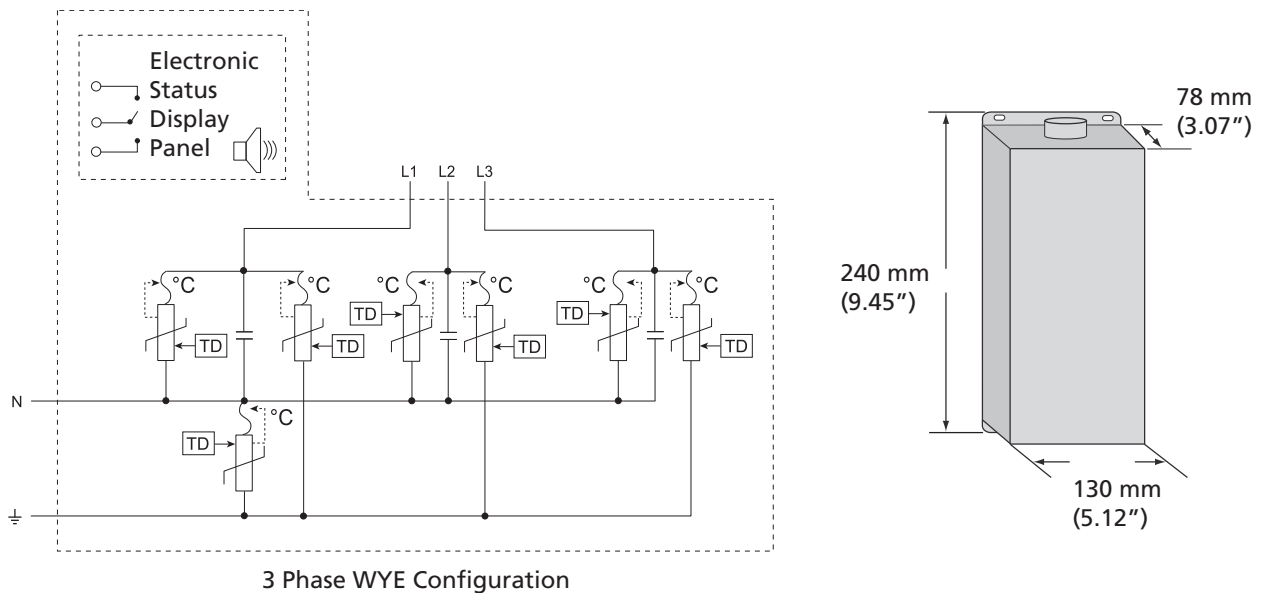
TDX Replaceable Modules



TDX Replaceable Module backplane fully removed

Model	TDX200M 120/208	TDX200M 120/240	TDX200M 120/240D	TDX200M 240D	TDX200M 277/480	TDX200M 277/480TT*	TDX200M 347/600	TDX200M 480D
Nominal Voltage, U_n	120/208 V	120/240 V		240 V	277/480 V		347/600 V	480 V
Distribution System	3Ph 4W+G	1Ph 3W+G	3Ph Δ 4W+G	3Ph Δ 3W+G	3Ph 4W+G 3Ph 3W+G	3Ph 4W+G		3Ph Δ 3W+G
Max Cont. Operating Voltage, U_c	170/295 VAC	170/340 VAC		275 VAC	310/536 VAC		560/970 VAC	560 VAC
Stand-off Voltage	240/415 VAC	240/480 VAC	240/415 VAC	415 VAC	480/813 VAC	480/831 VAC	790/1370 VAC	790 VAC
Frequency	50/60 Hz							
Short Circuit Current Rating, I_{sc}	200 kAIC							
Technology	Over-current Replaceable Cartridge Fusing TD Technology with thermal disconnect							
Max Discharge Current, I_{max}	200 kA 8/20 μ s							
Impulse Current, I_{imp}	20 kA 10/350 μ s					20 kA 10/350 μ s	20 kA 10/350 μ s N-PE	
Nominal Discharge Current, I_n	100 kA 8/20 μ s			80 kA 8/20 μ s				
Protection Modes	L-G, L-N, N-G			L-G, L-L	L-G, L-N, N-G	L-N, N-G		L-G, L-L
Voltage Protection Level, Up	L-N 600 V @ 3 kA 1.2 kV @ 20 kA			L-N 1.0 kV @ 3 kA 1.8 kV @ 20 kA			L-N 1.8 kV @ 3 kA 2.6 kV @ 20 kA	
Filtering	-40 dB @ 100 kHz							
Status	Audible Alarm LED status indication per phase, mechanical flag per mode, all modes monitored Remote contacts, change-over, 400 V~ / 3 A, max 1.5 mm ² (#14 AWG) terminals							
Dimensions H x D x W: mm (in)	240 x 78 x 130 (9.45 x 3.07 x 5.12)							
Weight: lbs (kg)	4.4 (2.00)							
Enclosure	Aluminum, IP 65 (NEMA-4)							
Connection	Line: 600 mm of 5.26 mm ² (24" of # 10 AWG) flying leads Neutral/Ground: 900 mm of 5.26 mm ² (36" of # 10 AWG) flying leads							
Mounting	3/4" straight nipple; Optional flush mounting plate for drywall							
Temperature	-40°C to 80°C (-40°F to 176°F)							
Humidity	0 % to 90 %							
Approvals	C-Tick, CE, IEC® 61643-1, UL® 1449 Ed. 3 Listed Type 1/2							
Surge Rated to Meet	ANSI®/IEEE® C62.41-1991 Cat A, Cat B, Cat C ANSI®/IEEE® C62.41.2 Scenario II, Exposure 3, 100 kA 8/20 μ s, 10 kA 10/350 μ s IEC 61643-1 Class I, Class II UL® 1449 Ed. 3 In 20 kA mode							
Available Options	Flush Mount Kit (Order TDXM200FP) Replacement Fuse Cartridge (Order TDXFUSE) Side Mount Kit (Order TDXSM) Surge Counter and Filtering insert "S" in Order Code, example TDX100S277/480							
Replacement Module	TDS150M150	TDS150M150	TDS150M150 TDS150M240 (Lx-L3)	TDS150M240	TDS150M277	TDS150M277 (L-N) SGD125M (N-G)	TDS150M560	TDS150M560

*Please use TDX200M277/480T for orders in North America



ANSI is a registered trademark of the American National Standards Institute. IEC is a registered trademark of the International Electrotechnical Commission. IEEE is a registered trademark of the Institute of Electrical and Electronics Engineers, Incorporated. NEMA is a registered trademark of the National Electrical Manufacturers Association. UL is a registered trademark of Underwriters Laboratories, Inc.

Copyright ©2009 ERICO International Corporation. All rights reserved.

CADDY, CADWELD, CRITEC, ERICO, ERIFLEX, ERITECH, and LENTON are registered trademarks of ERICO International Corporation.



TDX100 Transient Discriminating Panel Protection

Features

- Transient Discriminating (TD) Technology provides increased service life
- Modular design allows individual modes to be field replaceable, built-in disconnect and fusing eliminates need for external fusing
- Built-in safety features include TD Technology, thermal protection and short circuit current cartridge fusing
- Compact NEMA-4 enclosure design can be flush mounted or installed in a small space
- Status indication flag per mode, voltage presence LEDs, audible alarm and voltage-free contacts providing remote status monitoring
- 100kA 8/20µs maximum surge rating provides protection suitable for smaller main-distribution panels and an extended operational life
- Available in various operating voltages to suit most common power distribution systems
- CE, Listed to UL® 1449 Edition 3

The TDX100 Series of Transient Voltage Surge Suppressors is designed for critical protection applications. The 100kA 8/20µs of surge protection meets the IEEE®C62.41.2 Scenario II single shot surge rating requirements for exposed service entrance locations – Exposure 3.

The NEMA-4 weather tight housing allows the TDX to be installed on indoor or outdoor service panels. The preconfigured connecting leads simplify installation. The unique narrow construction allows the SPD to fit between adjacent panel boards and connect via a 90-degree elbow. A flush mounting kit is also available for installing the SPD in drywall applications.

Listed as a Type 1 SPD to UL1449 3rd Edition, the TDX100 Series can be installed within a Type 1 or 2 location in accordance with the NEC2008



Typical Installation



Output contacts



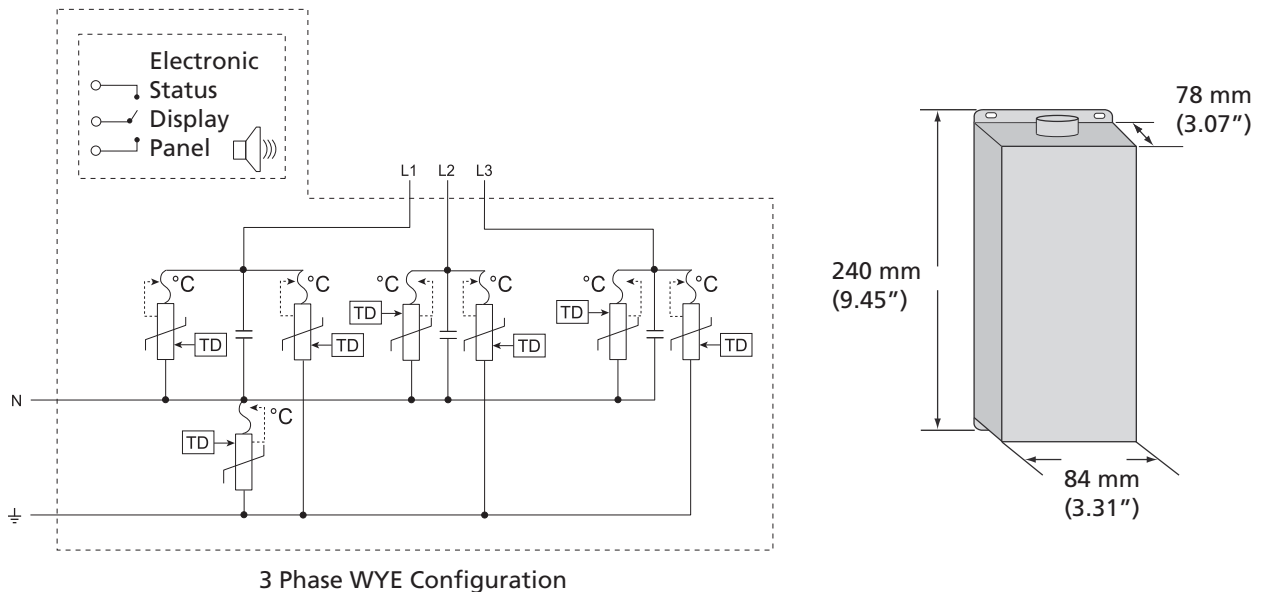
TDX Replaceable Cartridge overcurrent fuse protection



TDX Replaceable Modules

Model	TDX100M 120/208	TDX100M 120/240	TDX100M 120/240D	TDX100M 240D	TDX100M 277/480	TDX100M 277/480TT*	TDX100M 347/600	TDX100M 480D
Nominal Voltage, U_n	120/208 V	120/240 V		240 V	277/480 V		347/600 V	480 V
Distribution System	3Ph 4W+G	1Ph 3W+G	3Ph Δ 4W+G	3Ph Δ 3W+G	3Ph 4W+G 3Ph 3W+G	3Ph 4W+G		3Ph Δ 3W+G
Max Cont. Operating Voltage, U_c	170/295 VAC	170/340 VAC		275 VAC	310/536 VAC		560/970 VAC	560 VAC
Stand-off Voltage	240/415 VAC	240/480 VAC	240/415 VAC	415 VAC	480/813 VAC	480/831 VAC	790/1370 VAC	790 VAC
Frequency	50/60 Hz							
Short Circuit Current Rating, I_{sc}	200 kAIC							
Technology	Over-current Replaceable Cartridge Fusing TD Technology with thermal disconnect							
Max Discharge Current, I_{max}	100 kA 8/20 μ s							
Impulse Current, I_{imp}	12 kA 10/350 μ s					12 kA 10/350 μ s	12 kA 10/350 μ s	
Nominal Discharge Current, I_n	50 kA 8/20 μ s			40 kA 8/20 μ s				
Protection Modes	L-G, L-N, N-G			L-G, L-L	L-G, L-N, N-G	L-N, N-G	L-G, L-N, N-G	L-G, L-L
Voltage Protection Level, U_p	L-N 600 V @ 3 kA 1.2 kV @ 20 kA			L-N 1.0 kV @ 3 kA 1.8 kV @ 20 kA		L-N 1.8 kV @ 3 kA 2.6 kV @ 20 kA		
Filtering	-40 dB @ 100 kHz							
Status	Audible Alarm LED status indication per phase, mechanical flag per mode, all modes monitored Remote contacts, change-over, 400 V~ / 3 A, max 1.5 mm ² (#14 AWG) terminals							
Dimensions H x D x W: mm (in)	240 x 78 x 84 (9.45 x 3.07 x 3.31)							
Weight: lbs (kg)	3.1 (1.41)							
Enclosure	Aluminum, IP 65 (NEMA-4)							
Connection	Line: 600 mm of 5.26 mm ² (24" of # 10 AWG) flying leads Neutral/Ground: 900 mm of 5.26 mm ² (36" of # 10 AWG) flying leads							
Mounting	3/4" straight nipple; Optional flush mounting plate for drywall							
Temperature	-40°C to 80°C (-40°F to 176°F)							
Humidity	0 % to 90 %							
Approvals	C-Tick, CE, IEC® 61643-1, UL® 1449 Ed. 3 Listed Type 1/2							
Surge Rated to Meet	ANSI®/IEEE® C62.41-1991 Cat A, Cat B, Cat C ANSI®/IEEE® C62.41.2 Scenario II, Exposure 3, 100 kA 8/20 μ s, 10 kA 10/350 μ s IEC 61643-1 Class I, Class II UL® 1449 Ed. 3 In 20 kA mode							
Available Options	Flush Mount Kit (Order TDXM100FP) Replacement Fuse Cartridge (Order TDXFUSE) Side Mount Kit (Order TDXSM) Surge Counter and Filtering insert "S" in Order Code, example TDX100S277/480							
Replacement Module	TDS150M150	TDS150M150	TDS150M150 TDS150M240 (Lx-L3)	TDS150M240	TDS150M277	TDS150M277 (L-N) SGD125M (N-G)	TDS150M560	TDS150M560

*Please use TDX100M277/480T for orders in North America



ANSI is a registered trademark of the American National Standards Institute. IEC is a registered trademark of the International Electrotechnical Commission. IEEE is a registered trademark of the Institute of Electrical and Electronics Engineers, Incorporated. NEMA is a registered trademark of the National Electrical Manufacturers Association. UL is a registered trademark of Underwriters Laboratories, Inc.

Copyright ©2009 ERICO International Corporation. All rights reserved.

CADDY, CADWELD, CRITEC, ERICO, ERIFLEX, ERITECH, and LENTON are registered trademarks of ERICO International Corporation.



TDX100C Transient Discriminating Panel Protection

Features

- Transient Discriminating (TD) Technology provides increased service life
- Built-in safety features include TD Technology, thermal protection and short circuit current fusing
- Compact NEMA-4 enclosure design can be flush mounted or installed in a small space
- LED status indication and voltage-free contacts provide remote status monitoring
- 100kA 8/20µs maximum surge rating provides protection suitable for smaller main-distribution panels and an extended operational life
- Available in various operating voltages to suit most common power distribution systems
- CE, Listed to UL® 1449 Edition 3

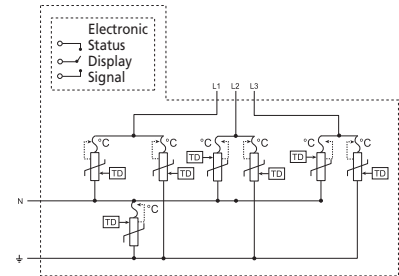
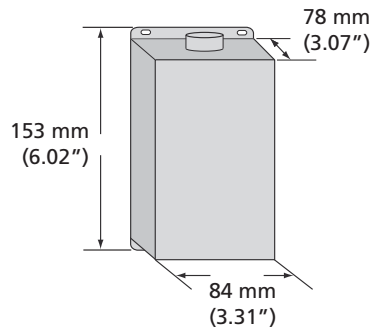
The TDX100 Series of Transient Voltage Surge Suppressors is designed for critical protection applications. The 100kA 8/20µs of surge protection meets the IEEE®C62.41.2 Scenario II single shot surge rating requirements for exposed service entrance locations – Exposure 3.

The NEMA-4 weather tight housing allows the TDX to be installed on indoor or outdoor service panels. The preconfigured connecting leads simplify installation. The unique narrow construction allows the SPD to fit between adjacent panel boards and connect via a 90-degree elbow. A flush mounting kit is also available for installing the SPD in drywall applications.

Listed as a Type 1 SPD to UL1449 3rd Edition, the TDX100 Series can be installed within a Type 1 or 2 location in accordance with the NEC2008



Typical Installation



Model	TDX100C 120	TDX100C 120/208	TDX100C 120/240	TDX100C 240	TDX100C 277/480	TDX100C 347/600
Nominal Voltage, U _n	120 V	120/208 V	120/240 V	240 V	277/480 V	347/600 V
Distribution System	1Ph 2W+G	3Ph 4W+G	1Ph 3W+G	1Ph 2W+G	3Ph 4W+G 3Ph 3W+G	3Ph 4W+G
Max Cont. Operating Voltage, U _c	170 VAC	170/295 VAC	170/340 VAC	340 VAC	310/536 VAC	480/830 VAC
Stand-off Voltage	240 VAC	240/415 VAC	240/480 VAC	480 VAC	480/813 VAC	600/1040 VAC
Frequency	50/60 Hz					
Short Circuit Current Rating, I _{sc}	200 kAIC					
Technology	Over-current Fusing TD Technology with thermal disconnect					
Max Discharge Current, I _{max}	100 kA 8/20 µs					
Impulse Current, I _{imp}	12 kA 10/350 µs					
Nominal Discharge Current, I _n	40 kA 8/20 µs					
Protection Modes	All modes protected via L-N, L-G, & N-G					
Voltage Protection Level, U _p	L-N 600 V @ 3 kA 1.2 kV @ 20 kA		L-N 1.0 kV @ 3 kA 1.8 kV @ 20 kA		L-N 1.8 kV @ 3 kA 2.6 kV @ 20 kA	
Status	LED status indication per phase, all modes monitored Remote contacts, change-over, 125 V~ / 3 A, max 1.5 mm ² (#14 AWG) terminals					
Dimensions H x D x W: mm (in)	153 x 78 x 84 (6.02 x 3.07 x 3.31)					
Weight: lbs (kg)	1.76 (0.80)					
Enclosure	Aluminum, IP 65 (NEMA-4)					
Connection	Line: 600 mm of 5.26 mm ² (24" of # 10 AWG) flying leads Neutral/Ground: 900 mm of 5.26 mm ² (36" of # 10 AWG) flying leads					
Mounting	3/4" straight nipple; Optional flush mounting plate for drywall					
Temperature	-40°C to 80°C (-40°F to 176°F)					
Humidity	0 % to 90 %					
Approvals	C-Tick, CE, IEC® 61643-1, UL® 1449 Ed. 3 Listed Type 1/2					
Surge Rated to Meet	ANSI®/IEEE® C62.41-1991 Cat A, Cat B, Cat C ANSI®/IEEE® C62.41.2 Scenario II, Exposure 2, 50 kA 8/20 µs IEC 61643-1 Class I, Class II UL® 1449 Ed. 3 In 20 kA mode					
Available Options	Flush Mount Kit (Order TDXM100FP) Side Mount Kit (Order TDXSM)					

ANSI is a registered trademark of the American National Standards Institute. IEC is a registered trademark of the International Electrotechnical Commission. IEEE is a registered trademark of the Institute of Electrical and Electronics Engineers, Incorporated. NEMA is a registered trademark of the National Electrical Manufacturers Association. UL is a registered trademark of Underwriters Laboratories, Inc.

Copyright ©2009 ERICO International Corporation. All rights reserved.

CADDY, CADWELD, CRITEC, ERICO, ERIFLEX, ERITECH, and LENTON are registered trademarks of ERICO International Corporation.



TDX50C Transient Discriminating Panel Protection

Features

- Transient Discriminating (TD) Technology provides increased service life
- Built-in safety features include TD Technology, thermal protection and short circuit current fusing
- Compact NEMA-4 enclosure design can be flush mounted or installed in a small space
- LED status indication and voltage-free contacts provide remote status monitoring
- 50kA 8/20 μ s maximum surge rating provides protection suitable for sub-distribution panels and a long operational life
- Available in various operating voltages to suit most common power distribution systems
- CE, Listed to UL[®] 1449 Edition 3

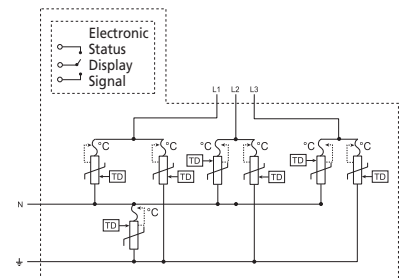
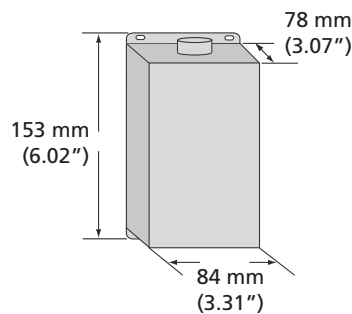
The TDX50 Series of Transient Voltage Surge Suppressors for equipment, panel and motor protection applications is specifically designed to provide long life, even under the most adverse over-voltage conditions.

The NEMA-4 weather tight housing allows the TDX to be installed on indoor or outdoor service panels. The preconfigured connecting leads simplify installation. The unique narrow construction allows the SPD to fit between adjacent panel boards. A flush mounting kit is also available for installing the SPD in drywall applications.

Listed as a Type 1 SPD to UL1449 3rd Edition, the TDX50 Series can be installed within a Type 1 or 2 location in accordance with the NEC2008



Typical Installation



Model	TDX50C 120	TDX50C 120/208	TDX50C 120/240	TDX50C 120/240D	TDX50C 240	TDX50C 277/480	TDX50C 347/600
Nominal Voltage, U _n	120 V	120/208 V	120/240 V	120/240 V	240 V	277/480 V	347/600 V
Distribution System	1Ph 2W+G	3Ph 4W+G	1Ph 3W+G	3Ph Δ 4W+G	1Ph 2W+G	3Ph 4W+G 3Ph 3W+G	3Ph 4W+G
Max Cont. Operating Voltage, U _c	170 VAC	170/295 VAC	170/340 VAC		340 VAC	310/536 VAC	480/830 VAC
Stand-off Voltage	240 VAC	240/415 VAC	240/480 VAC	240/415 VAC	480 VAC	480/813 VAC	600/1040 VAC
Frequency	50/60 Hz						
Short Circuit Current Rating, I _{sc}	200 kAIC						
Technology	Over-current Fusing TD Technology with thermal disconnect						
Max Discharge Current, I _{max}	50 kA 8/20 μ s						
Nominal Discharge Current, I _n	20 kA 8/20 μ s						
Protection Modes	All modes protected via L-N, L-G, & N-G						
Voltage Protection Level, U _p	L-N 600 V @ 3 kA 1.2 kV @ 20 kA		L-N 1.0 kV @ 3 kA 1.8 kV @ 20 kA			L-N 1.8 kV @ 3 kA 2.6 kV @ 20 kA	
Status	LED status indication per phase, all modes monitored Remote contacts, change-over, 125 V- / 3 A, max 1.5 mm ² (#14 AWG) terminals						
Dimensions H x D x W: mm (in)	153 x 78 x 84 (6.02 x 3.07 x 3.31)						
Weight: lbs (kg)	1.54 (0.70)						
Enclosure	Aluminum, IP 65 (NEMA-4)						
Connection	Line: 600 mm of 5.26 mm ² (24" of # 10 AWG) flying leads Neutral/Ground: 900 mm of 5.26 mm ² (36" of # 10 AWG) flying leads						
Mounting	3/4" straight nipple; Optional flush mounting plate for drywall						
Temperature	-40°C to 80°C (-40°F to 176°F)						
Humidity	0 % to 90 %						
Approvals	C-Tick, CE, IEC [®] 61643-1, UL [®] 1449 Ed. 3 Listed Type 1/2						
Surge Rated to Meet	ANSI/IEEE [®] C62.41-1991 Cat A, Cat B, Cat C ANSI/IEEE [®] C62.41.2 Scenario II, Exposure 2, 50 kA 8/20 μ s EC 61643-1 Class II UL [®] 1449 Ed. 3 In 10 kA mode						
Available Options	Flush Mount Kit (Order TDXM100FP) Side Mount Kit (Order TDXSM)						

ANSI is a registered trademark of the American National Standards Institute. IEC is a registered trademark of the International Electrotechnical Commission. IEEE is a registered trademark of the Institute of Electrical and Electronics Engineers, Incorporated. NEMA is a registered trademark of the National Electrical Manufacturers Association. UL is a registered trademark of Underwriters Laboratories, Inc.

Copyright ©2009 ERICO International Corporation. All rights reserved.

CADDY, CADWELD, CRITEC, ERICO, ERIFLEX, ERITECH, and LENTON are registered trademarks of ERICO International Corporation.



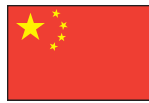
ERICO®



www.erico.com



AUSTRALIA
Phone 1800-263-508
Fax 1800-423-091



CHINA
Phone +86-21-3430-4878
Fax +86-21-5831-8177



HUNGARY
Phone 06-800-16538
Fax +31-13-583-5406



NORWAY
Phone 800-100-73
Fax 800-100-66



SWITZERLAND
Phone 0800-55-86-97
Fax 0800-55-96-15



BELGIUM
Phone 0800-757-48
Fax 0800-757-60



DENMARK
Phone 808-89-373
Fax 808-89-372



INDONESIA
Phone +62-21-575-0941
Fax +62-21-575-0942



POLAND
Phone +48-71-349-04-60
Fax +48-71-349-04-61



THAILAND
Phone +66-2-267-5776
Fax +66-2-636-6988



BRAZIL
Phone +55-11-3623-4333
Fax +55-11-3621-4066



FRANCE
Phone 0800-901-793
Fax 0800-902-024



ITALY
Phone 800-870-938
Fax 800-873-935



SINGAPORE
Phone +65-6-268-3433
Fax +65-6-268-1389



UNITED ARAB EMIRATES
Phone +971-4-881-7250
Fax +971-4-881-7270



CANADA
Phone +1-800-677-9089
Fax +1-800-677-8131



GERMANY
Phone 0-800-189-0272
Fax 0-800-189-0274



MEXICO
Phone +52-55-5260-5991
Fax +52-55-5260-3310



SPAIN
Phone 900-993-154
Fax 900-993-106



UNITED KINGDOM
Phone +0808-2344-670
Fax +0808-2344-676



CHILE
Phone +56-2-370-2908
Fax +56-2-369-5657



HONG KONG
Phone +852-2764-8808
Fax +852-2764-4486



NETHERLANDS
Phone +31-13-583-5400
Fax +31-13-583-5499



SWEDEN
Phone 020-790-908
Fax 020-798-964



UNITED STATES
Phone +1-440-248-0100
Fax +1-440-248-0723

WARNING

ERICO products shall be installed and used only as indicated in ERICO's product instruction sheets and training materials. Instruction sheets are available at www.erico.com and from your ERICO customer service representative. Improper installation, misuse, misapplication or other failure to completely follow ERICO's instructions and warnings may cause product malfunction, property damage, serious bodily injury and death.